

A two day **WORKSHOP** on  
**ADVANCED TRENDS IN LOW-POWER SoC VLSI DESIGN**

**Registration Form**

Name of the participant .....

.....

Designation .....

.....

Organisation with Postal Address .....

.....

.....

.....

Contact phone no. ....

e-Mail .....

Demand Draft no. with Bank details .....

.....

Signature of the participant

**Note : DD Can be mailed to**  
 Centre for Emerging Technologies <sup>TM</sup>  
 Jain Global campus  
 Jakkasandra Post, Kanakapura Taluk  
 Bengaluru - 562 112

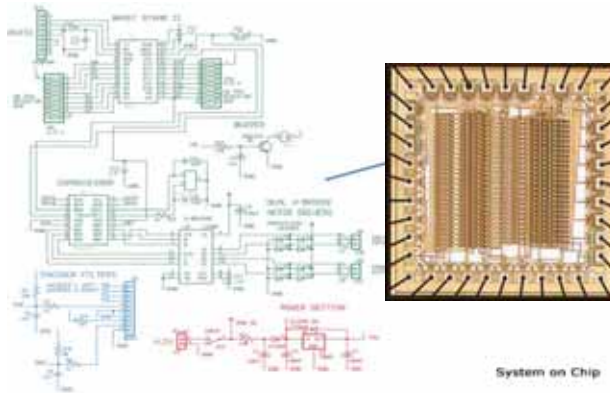
A two day **WORKSHOP** on  
**ADVANCED TRENDS IN LOW-POWER SoC VLSI DESIGN**

Dates : 5th & 6th October, 2012

Time : 09:00 to 16:30 on 5th, &  
 09:30 to 16:45 on 6th

Venue : **Centre for Emerging Technologies <sup>TM</sup>**  
 Jain Knowledge Campus  
 Behind BigBazaar  
 9th Block, Jayanagara,  
 Bengaluru - 560 069

Fee : Rs. 500.00 per participant  
 To be paid through a Demand Draft drawn  
 in favour of  
**'Centre for Emerging Technologies,  
 Jain University,**  
 Bengaluru', payable at Bengaluru



Contact : Prof. K.Chandrasekhar - 9480428309  
 Prof. K.T.Srirangaraj - 9341285341

e-Mails : <kc.sekhar@jainuniversity.ac.in>  
 <workshops.cetju@gmail.com>

A two day **WORKSHOP** on  
**ADVANCED TRENDS IN LOW-POWER SoC VLSI DESIGN**

**Registration Form**

Name of the participant .....

.....

Designation .....

.....

Organisation with Postal Address .....

.....

.....

.....

Contact phone no. ....

e-Mail .....

Demand Draft no. with Bank details .....

.....

Signature of the participant

**Note : DD Can be mailed to**  
 Centre for Emerging Technologies <sup>TM</sup>  
 Jain Global campus  
 Jakkasandra Post, Kanakapura Taluk  
 Bengaluru - 562 112